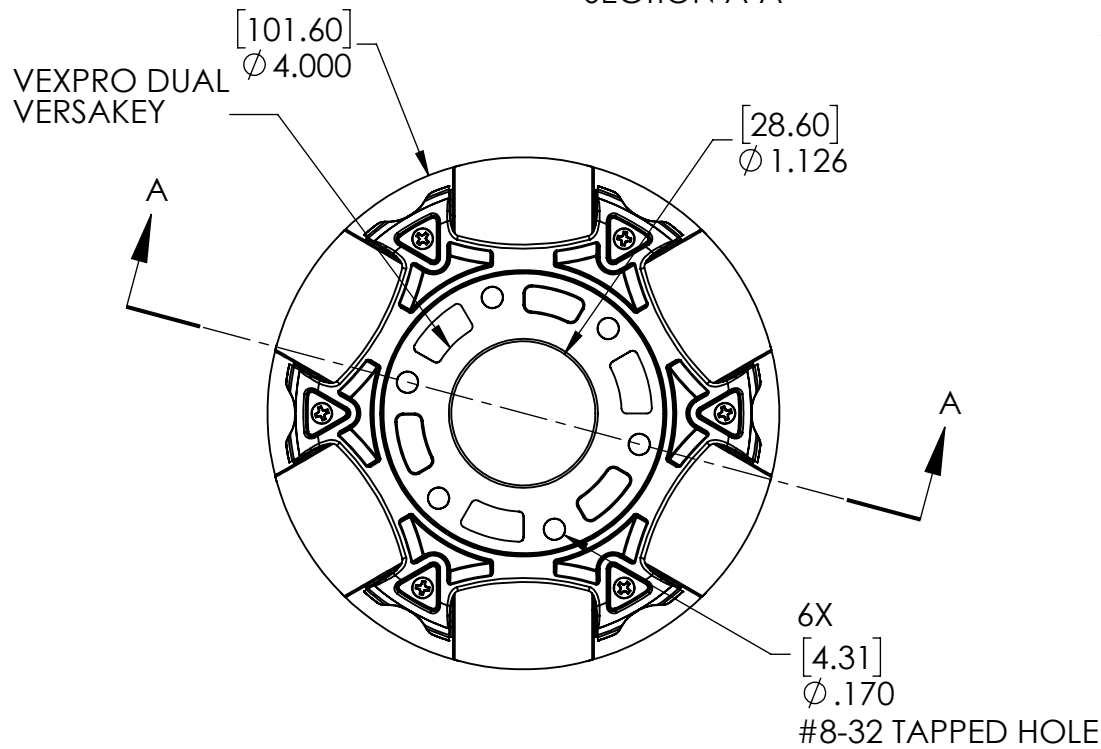


SECTION A-A



Description		4" OMNI WHEEL V2	
Dwg No		217-6194-000 Rev5	
Project	VEXpro	Sheet 1 of 1	
Release	5/30/2018	ALL DIMENSIONS ARE IN INCHES [MM].	

PROSUPPORT@VEX.COM
WWW.VEXPRO.COM